



Government of Goa
DIRECTORATE OF SKILL DEVELOPMENT & ENTREPRENEURSHIP
FARMAGUDI GOVERNMENT INDUSTRIAL TRAINING INSTITUTE
Farmagudi-Ponda-Goa, 403401
Ph: (0832) 2980070

Website: www.itifarmagudi.goa.gov.in

Email: farmagudi-iti.goa@nic.in

Ref.No : 135/FGD/ITI/STR/Trial Room(DM)/STRIVE/2022/872

Dated: 14/10/2022

To,

Sub :- Inquiry of Trial Room for Dress Making Trade Reg...

Sir,

Quotations are invited in sealed envelopes as per the specification and quantity mentioned below:-

Sr. No	Items/ Specifications	Qty	Unit Nos/Kg	Rate per unit Rs.	Taxes	Amount Rs.
	ANNEXURE					
					Total amount	
					Taxes	
					Grand Total	

The terms and conditions for Supply shall be as under:-

1. The material shall be supplied for destination within 15 days of placing supply order at Farmagudi Industrial Training Institute, Farmagudi, Ponda- Goa.
2. GST and any other levy applicable at the time of quotation may be shown separately in the quotations; otherwise it will be presumed that the prices offered are inclusive of all taxes.
3. The rate quoted shall be inclusive of packing & forwarding charges freight paid for destination Farmagudi Industrial Training Institute, Farmagudi, Ponda- Goa.
4. The quotations shall be valid for 45 days from the date of the opening of the same.
5. The quotation will be evaluated for full Machines together. Therefore, the rates for repair charges including spares may be quoted together.
6. The materials if not accepted after inspection shall be collected by the supplier immediately with written assurance to supply the same as per the specifications as mentioned in the supply order. The Farmagudi Industrial Training Institute, Farmagudi, Ponda- Goa, shall not be responsible for security/ storing.
7. This office reserves the right to accept or reject any quotations without assigning any reason thereof.
8. The warranty/guarantee shall be furnished with the item as the case may be.
9. The extension of limit will be granted at the discretion of I.T.I. on genuine grounds by the written request of the supplier.
10. The Supplier should mention Make, Model and brand as the case may be.
11. The quotation should reach to this office on or before **25/10/2022** at 2:30 p.m either by return e-mail, hand delivery or by post and will be opened on same day i.e. on **25/10/2022** at 3:30 p.m.

Yours faithfully,

(S. S. Gaonkar)

Principal(Sr Scale)/Member Secretary

Copy to 1) The Account Section, Farmagudi, Govt.I.T.I., Farmagudi, Ponda- Goa
2)O/c

DRESS MAKING TRIAL ROOM

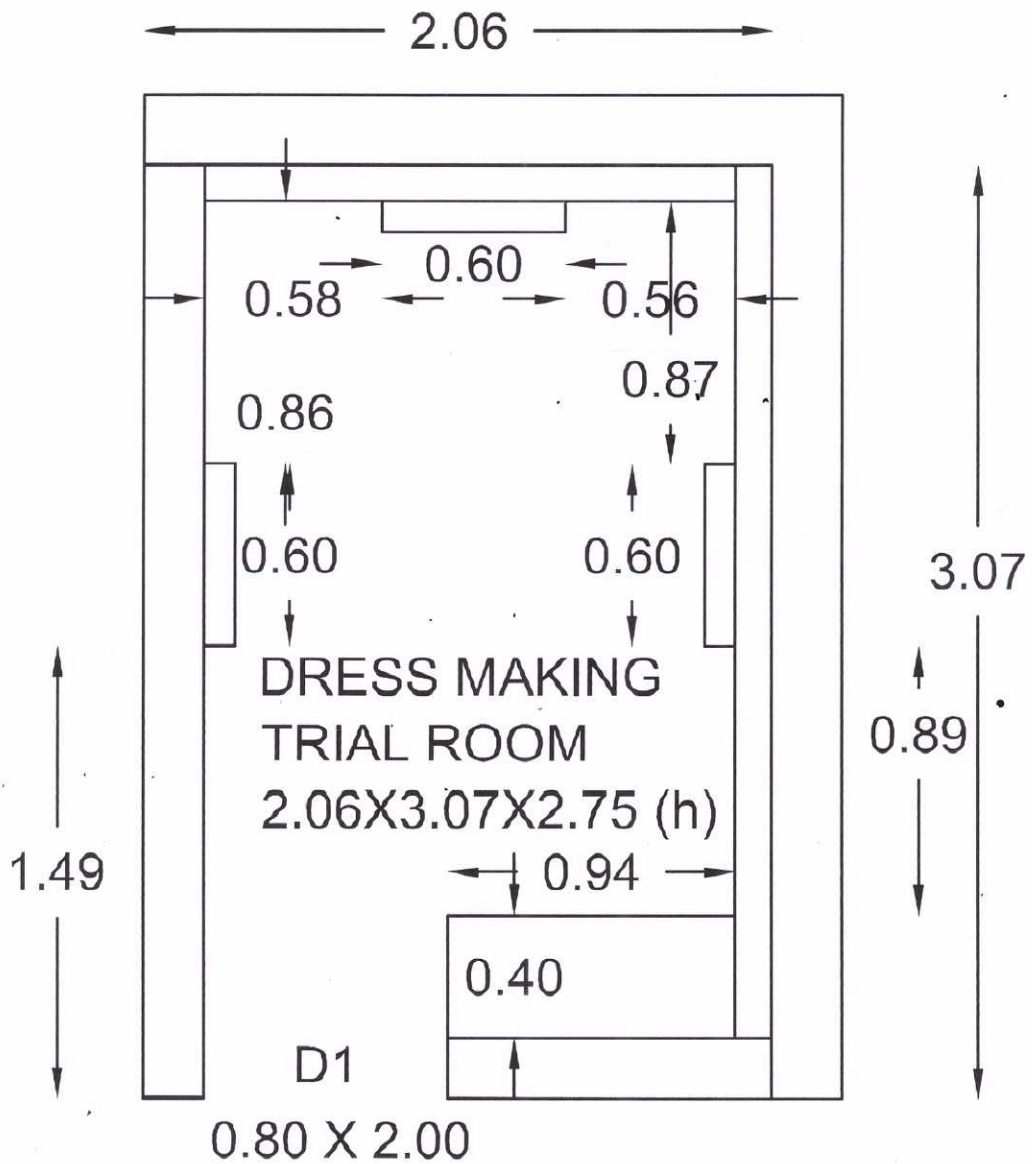
Trial Room with arrangements of hanging dresses

Description:

1. Left Side panel Board made up of marine ply. Dimension in centimeters. 307 cm (L) X 275 cm (H) with 19 mm thickness and above marine ply with lamination both side.
2. Back Side panel Board made up of marine ply. Dimension in centimeters. 206 cm (L) X 275 cm (H) with 12 mm thickness and above marine ply with lamination one side.
3. Right Side panel Board made up of marine ply. Dimension in centimeters. 307 cm (L) X 275 cm (H) with 12 mm thickness and above marine ply with lamination one side.
4. Front panel size 206 cm (L) X 275 cm (H) made up of 19 mm thickness, marine ply lamination on both sides. Should have door size of 80 cm X 200 cm having a provision of opening and closing.
5. Door should be laminated on both the sides.
6. Door latch provision from inside and lock provision from outside. (Steel)
7. Sitting arrangements 20 cm height having 2 compartments made up of ply. It should have 4 box provision with door for opening and closing and at top side having cushions with sitting provision 100 cm (L) X 40 cm (W) X 20 cm (H)
8. Three side mirror is fitted on marine ply, mirror size is 150 cm X 60 cm each.



PROPOSED DETAILS OF TRIAL ROOM FOR DRESS MAKING SECTION AT GOVT. I.T.I. FARMAGUDI



NOTE :- All dimension are in mts.